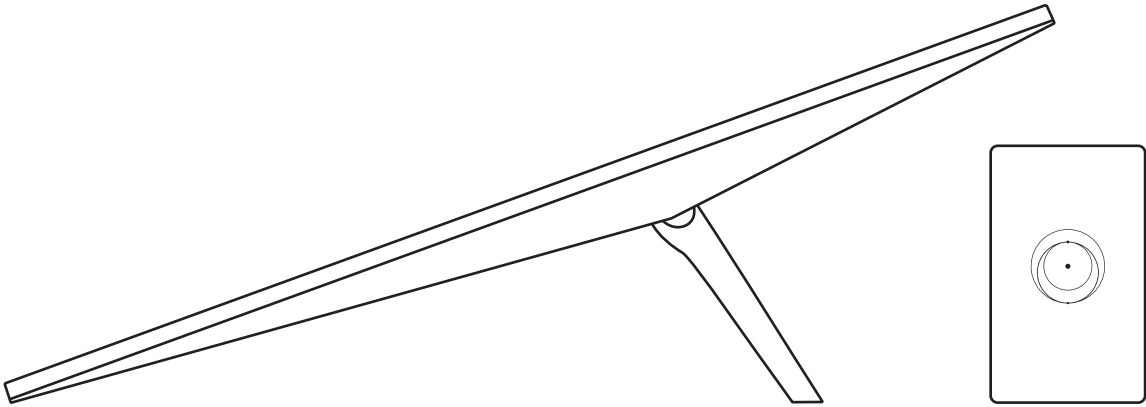
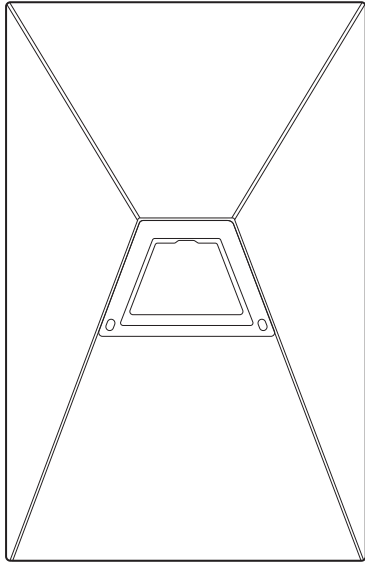


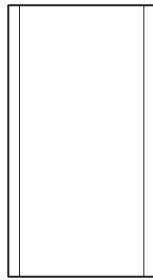
STARLINK | STANDARD 4 SPECIFICATIONS



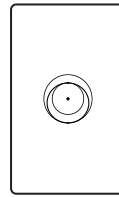
What's In The Box



Standard



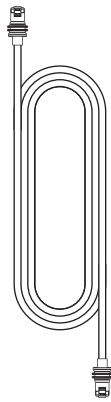
Power Supply



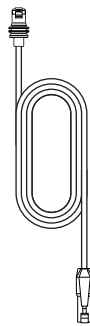
Router Mini



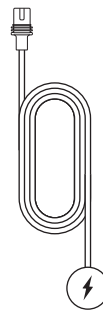
Router Mini Stand



Starlink Cable
15 m
(49.2 ft)



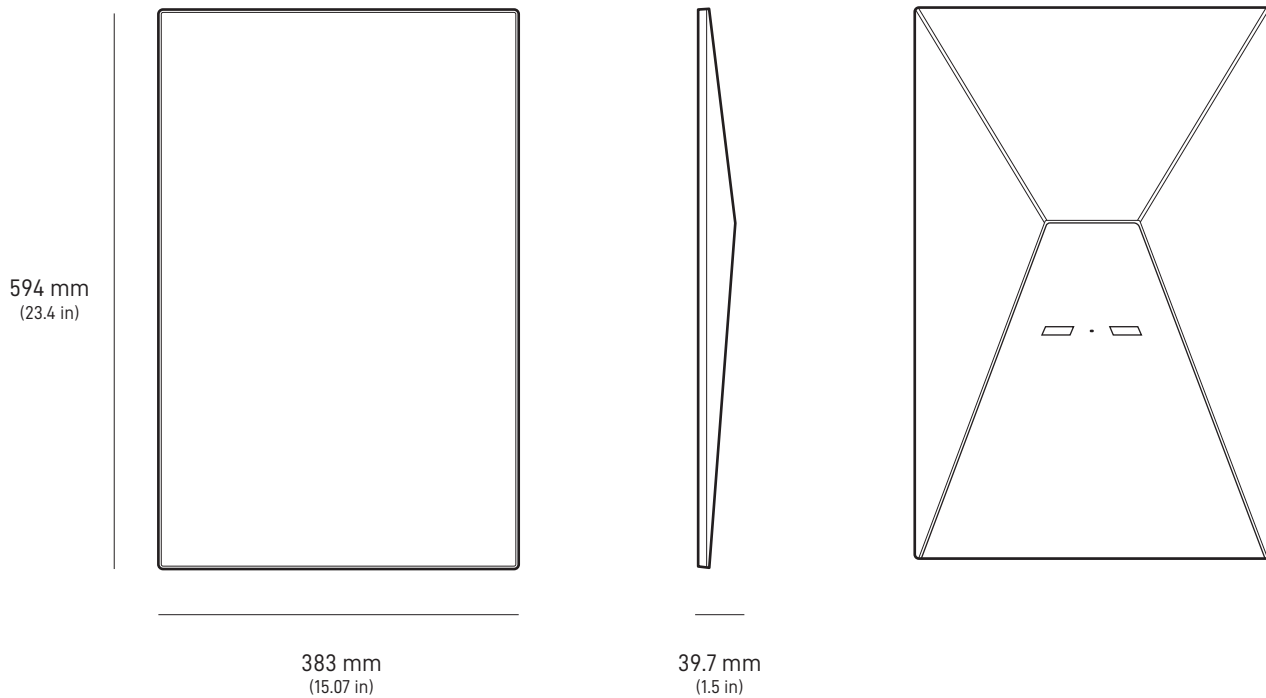
Starlink Ethernet Cable
2 m
(6.57 ft)



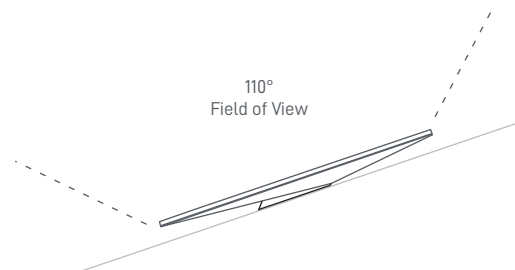
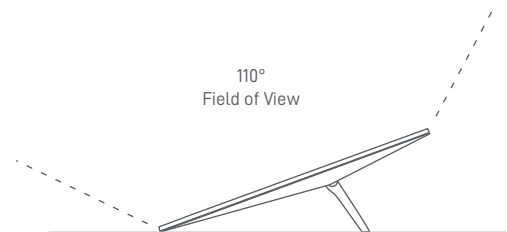
AC Cable
1.5 m
(4.92 ft)

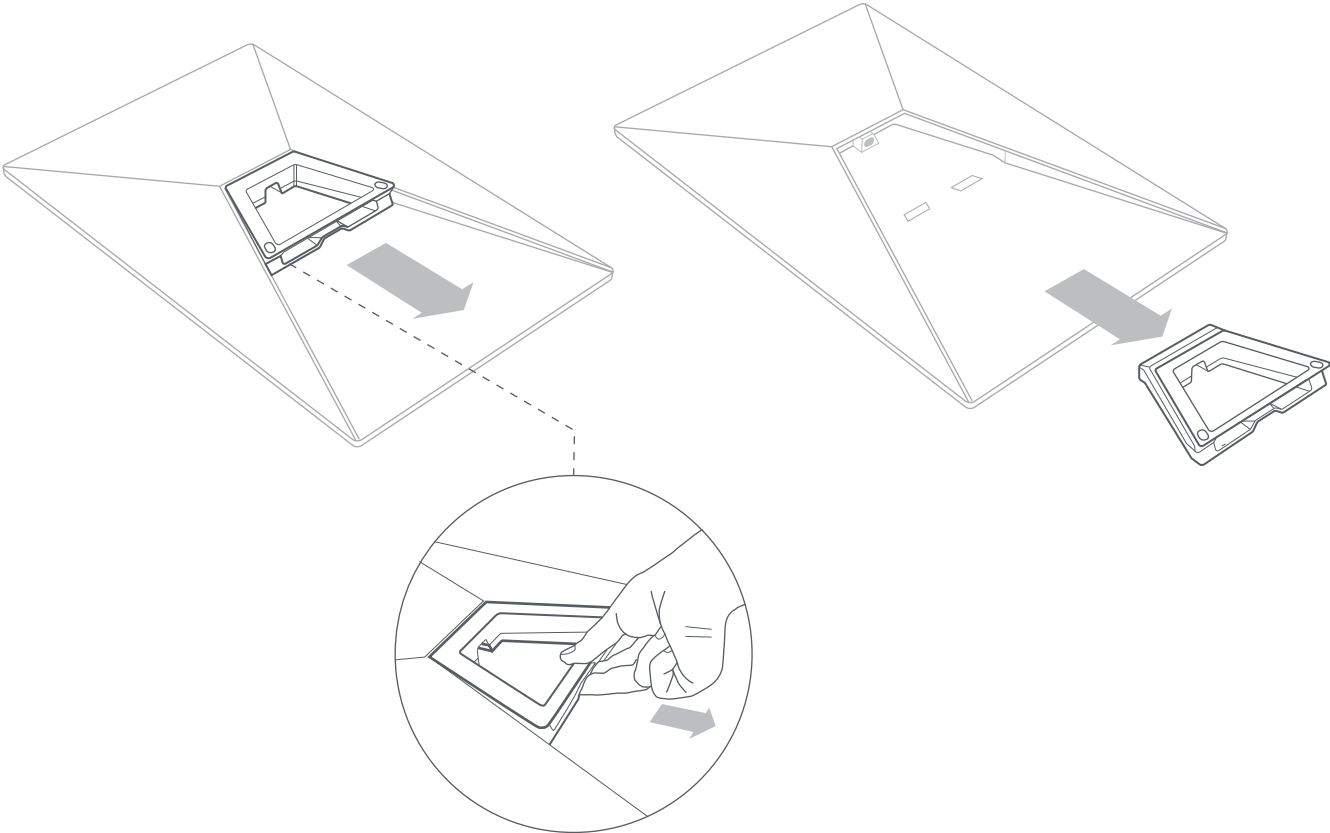
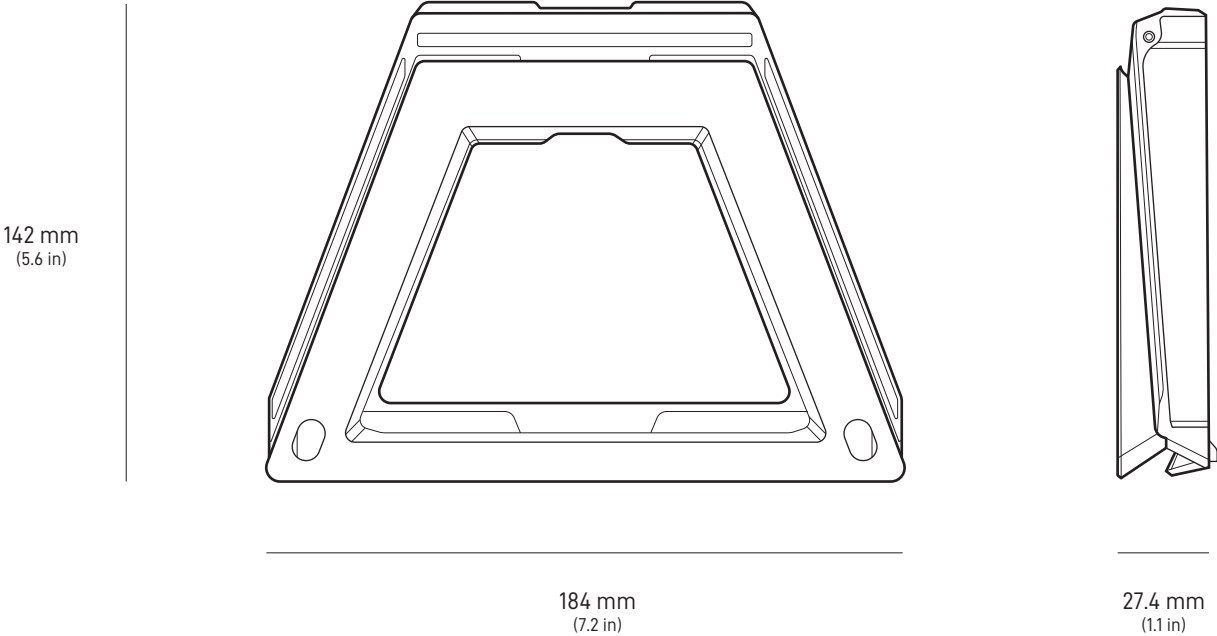
Package Weight: 6.45 kg (14.22 lbs)

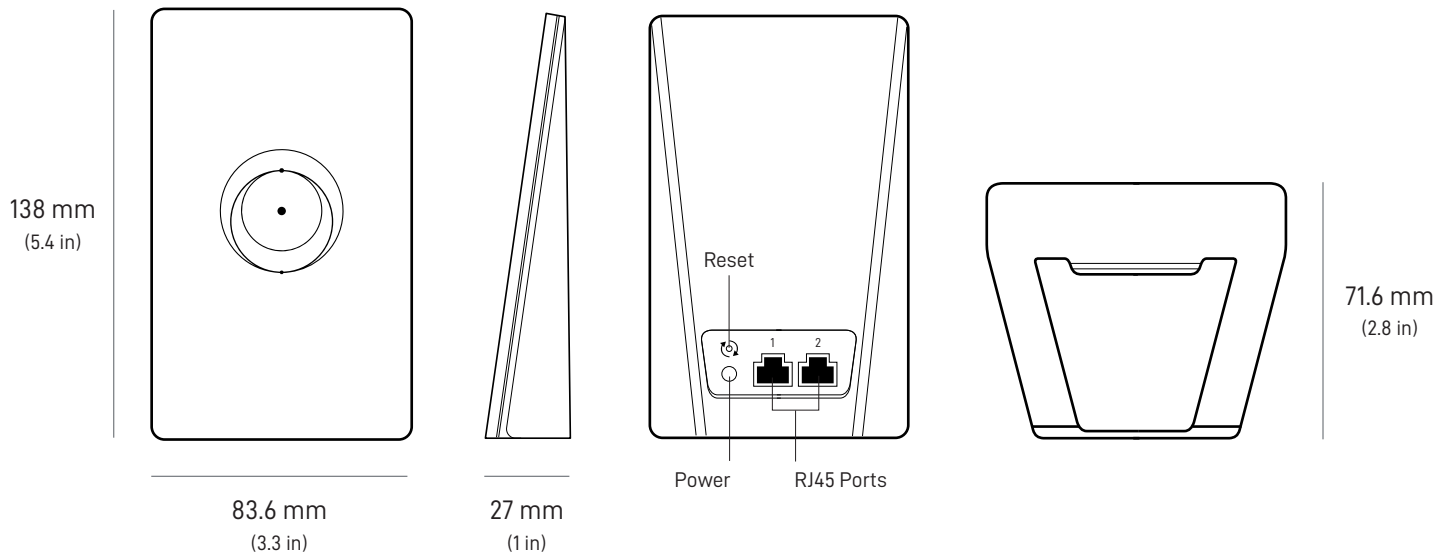
Package Dimensions: 652.4 x 451.7 x 97.9 mm (25.69 x 17.78 x 3.84 in)



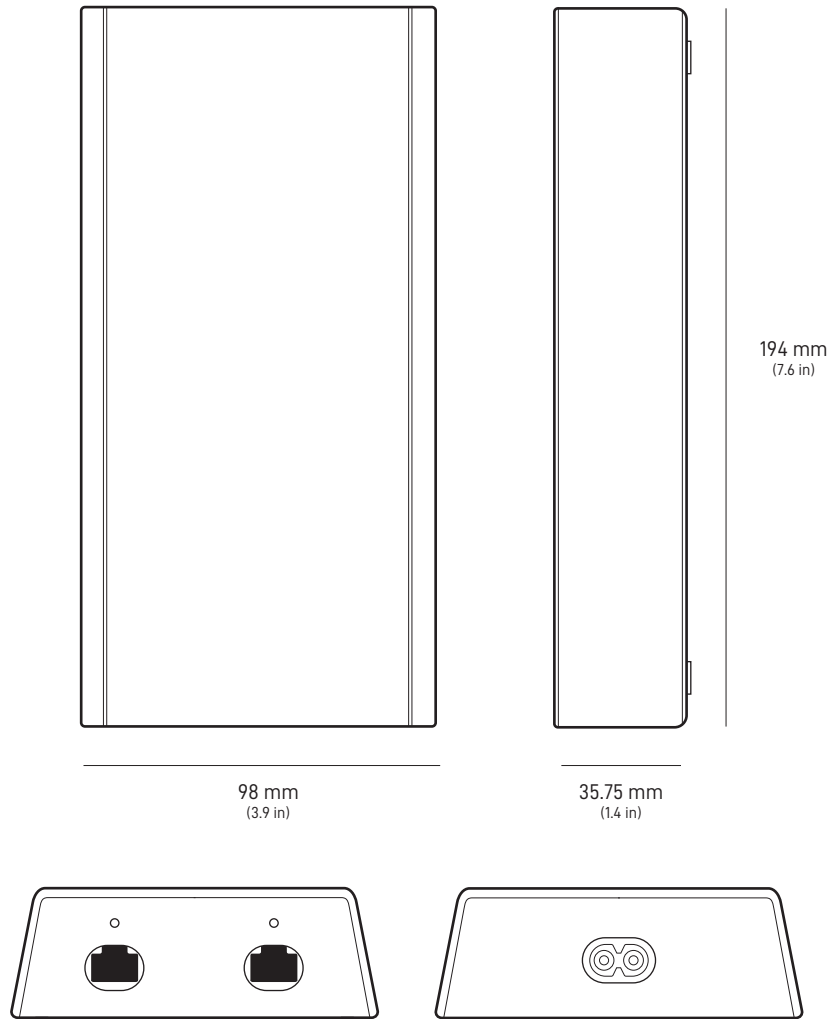
Antenna	Electronic Phased Array
Field of View	110°
Orientation	Software Assisted Manual Orienting
Weight	2.9 kg (6.4 lb) 3.2 kg (7 lb) with Kickstand 3.8 kg (8.3 lb) with Kickstand & 15 m Cable
Environmental Rating	IP67 Type 4
Operating Temperature	-30°C to 50°C (-22°F to 122°F)
Wind Speed	Operational: 96 kph+ (60 mph+)
Snow Melt Capability	Up to 40 mm / hour (1.5 in / hour)
Power Consumption	Average: 75 - 100 W



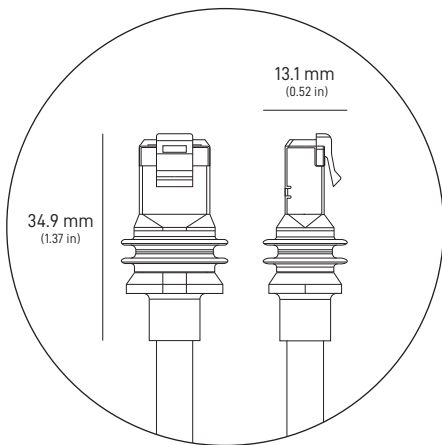
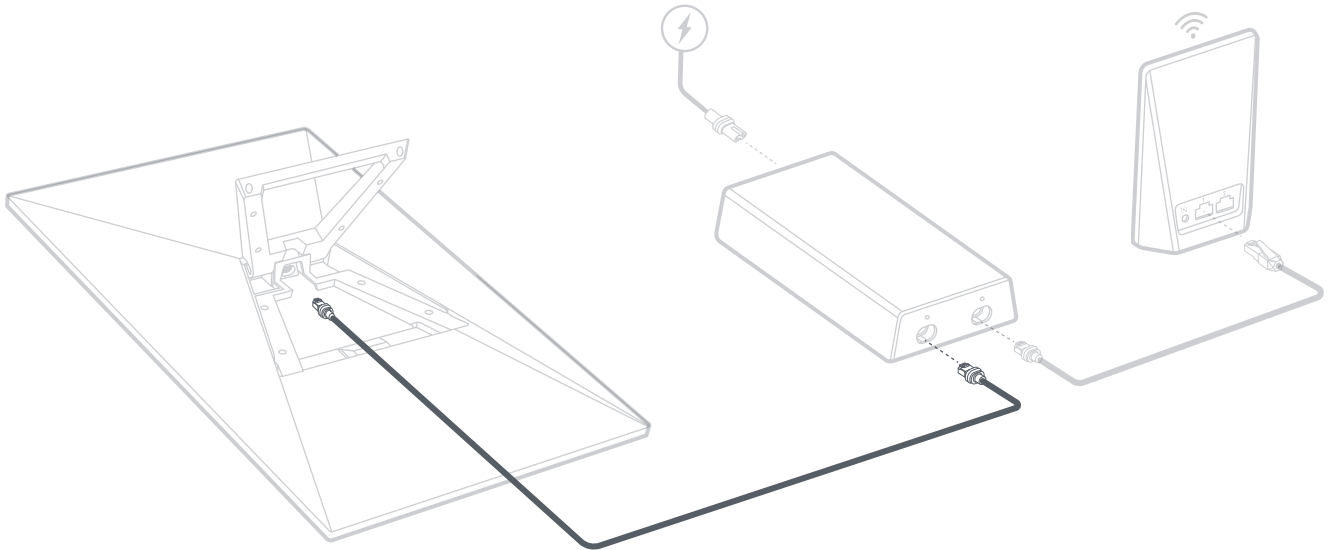




Product Dimensions	83.6mm x 138mm x 27mm (3.3in x 5.4in x 1in)
Wi-Fi Technology	IEEE 802.11a/b/g/n/ac/ax
Generation	WiFi 6
Radio	Dual Band 2x2 MU-MIMO
Ethernet Ports	Two (2) Ports 1Gbps Ethernet (RJ-45 Port)
Coverage	Up to 120 m ² (1300 ft ²)
Operating Temperature	-30°C to 40°C -22°F to 122°F
Weight	112g (0.25 lbs)
Security	WPA2
Environmental Rating	Indoor
Power Indicator	LED face plate, lower left corner of router
Mesh Compatibility	Compatible with Starlink Gen 2, Gen 3, and Router Mini Mesh Nodes *Not compatible with 3rd party mesh systems
Devices	Connect up to 235 devices



Product Dimensions	194 mm x 98 mm x 35.75 mm (7.6 in x 3.9 in x 1.4 in)
Weight	0.65 kg (1.4 lbs)
Environmental Rating	IP66 Type 4
Operating Temperature	-30°C to 50°C (-22°F to 122°F)
Power Specifications	100 - 240V ~ 2.5A 50 - 60 Hz



Pin 1	Wire Color	Pin 2
Shield	Drain - Bare Wire	Shield
8	Brown	8
7	White / Brown	7
6	Green	6
5	White / Blue	5
4	Blue	4
3	White / Green	3
2	Orange	2
1	White / Orange	1

