

Real-time ECDIS updates at your fingertips

THE CRITICAL COMMUNICATIONS COMPANY



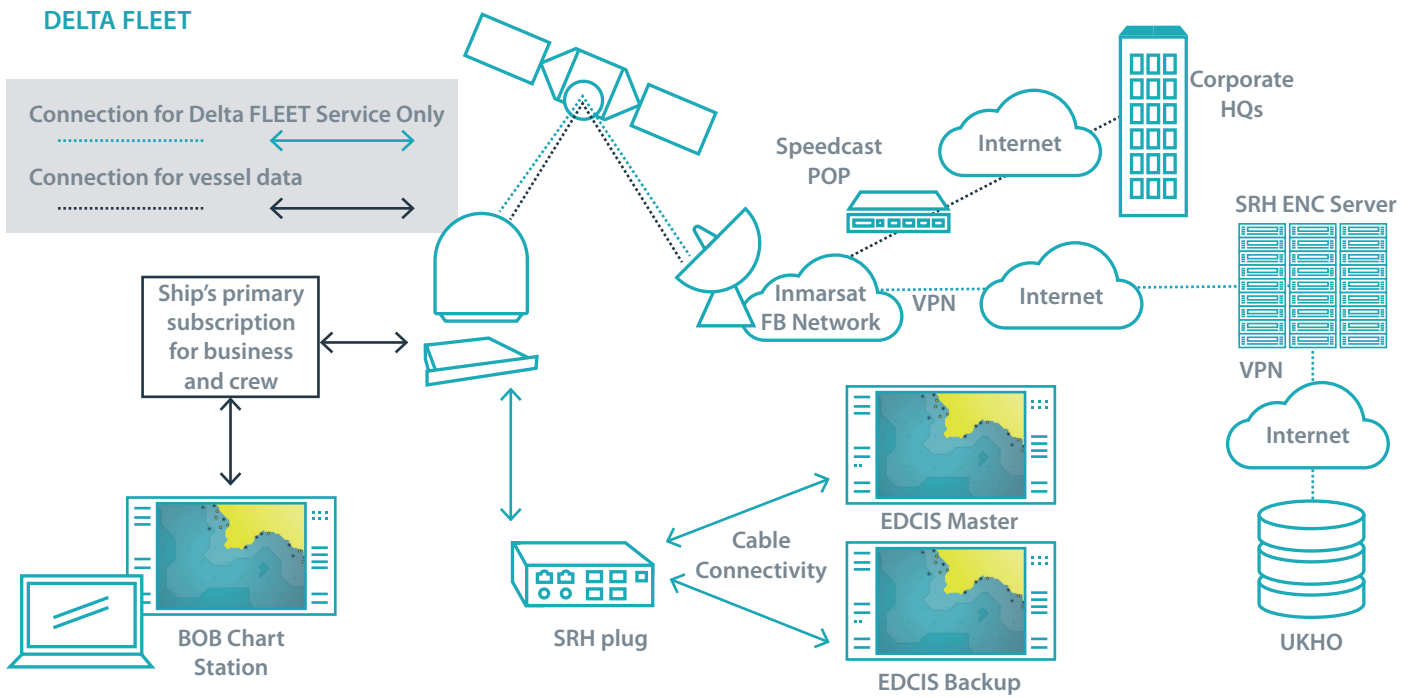
Over the past few decades, ships have relied on Electronic Chart Display and Information System (ECDIS) updates that come through physical media, such as USB sticks and CDs. However, this method has proven to be both resource intensive and costly, with dispatches regularly missing their targeted vessels. Today, modern ships need a navigation solution that updates often, quickly and reliably.

With SRH Marine Delta FLEET, ships receive automatic and secure updates via the internet, removing the need to courier updated media across the globe. These updates are also sent automatically and directly to the ECDIS stations.

The Delta FLEET platform, which includes chart updates, publications and notices to mariners, is available for L-band transmission to anyone with Inmarsat's FleetBroadband service. Delta FLEET runs on a dedicated channel powered by FleetBroadband that operates independent of a primary crew and business subscription. This dedicated e-Navigation channel is directly connected to the SRH services for secure distribution of updates. Delta FLEET distributes all charts updates automatically for a flat fee, making it a cost-efficient e-Navigation solution for safer route planning.

THE DELTA FLEET ADVANTAGE

- Predictable costs: Delta FLEET uses its own network path, available at a flat rate in an all-inclusive bundle, so you can eliminate unpredictable chart and connectivity costs and constraints on bandwidth
- Reliable route planning: Delta FLEET is a fully digital solution that combines connectivity, charts plotting and related digital services as one integrated package for safer route planning around the world
- Automatic chart updates reduces port authority risk
- Streamlines operations: Automatic updates directly to ECDIS stations—without the need for USB transfer—provide mariners with the tools and data necessary for safe, secure and efficient route planning without the inconvenience of managing chart collections, chart information and overlay corrections for paper charts
- Exceptional connectivity: FleetBroadband from Inmarsat is installed on more than 40,000 vessels worldwide and renowned for its reliability, safety services and extensive global coverage



DELTA FLEET KEY COMPONENTS

SRH Pilot Software

- SRH Pilot Planning Station (BOB Chart Station) is a custom digital chart catalogue application that allows you to import, calculate or manually create routes, select electronic charts based on your route, manage vessels' existing chart inventory and create a basket file that can be used to order selected products directly from SRH Marine SAIT.

SRH Plug

- SRH Plug is a small, self-contained device that enables secure and automatic connections to the vessel's ECDIS system, allowing fully-automatic updates of chart databases directly within the ECDIS stations.

SRH ENC Server

- SRH ENC Servers control the communication between the vessel and shore-side databases, and handle the monitoring of orders and the Pilot software itself. For seamless transition of charts to the customer, it interfaces with the UKHO B2B servers for processing orders, preparation of consolidated batches of chart updates, and prepares these for transmission to the vessel.

Inmarsat FleetBroadband

- Delta FLEET is a flat rate service delivered over existing or new FleetBroadband terminals only. A Speedcast SIM card can be used to carry conventional crew and business traffic using a FleetBroadband subscription, which is charged and provisioned separately to this service under normal FleetBroadband service agreements.

POWERED BY SPEEDCAST ATLAS™

Speedcast Atlas is a fully managed, end-to-end solution to support your business through digitalization and automation of worksites and processes. With Atlas, you get a network of networks that delivers reliable connectivity in remote and harsh environments through a deep partnership and relentless innovation. Speedcast Atlas brings you one experience with endless opportunities.

Various flat rate single fee package options are available with SRH Pilot, SRH Plug, flat rate dedicated FB connection, AVCS, ADPs, e-NPs and IMO & Witherby Publications. Speak to your Speedcast sales director for more details and terms and conditions.