

VR7 1.2 Meter Autopoint Antenna

*Portable satellite communications
from any location*



THE CRITICAL COMMUNICATIONS COMPANY



SIMPLE TO USE, SIMPLE TO DEPLOY

The VR7 1.2m autopoint antenna, powered by Hyperlink, is a portable satellite communications platform that provides critical connectivity services on Ku-band from any location. Maintain applications crucial to your company's operations and your crew's safety such as mail, VPN, VoIP, Web and other popular Internet applications.

Compatible for multiple mount configurations, the VR7 can be permanently mounted on vehicles and other movable work platforms, or used with a skid mount and placed on virtually any surface.

Deployment is simple:

1. Provide power
2. Connect cables
3. Press "Search" button

The VR7 is designed to self-level, perform in harsh weather conditions and self-diagnose issues. This simplistic antenna packs advanced functionality into an easy-to-use package, making it ideal for energy exploration, government, military agencies, first responders and mining operations.

FEATURES & BENEFITS

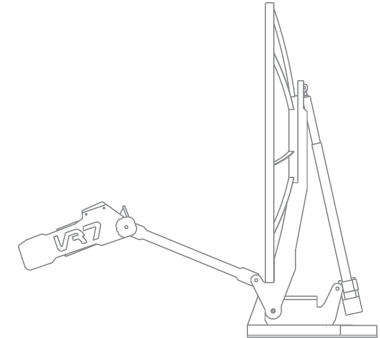
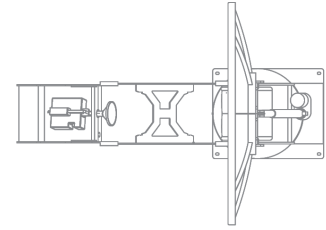
- Intuitive touch screen controller supports auto or manual control
- Advanced self-leveling feature aids in satellite acquisition
- Advanced peaking algorithm on cross-polarization alignment
- No software to install
- Unaffected by magnetic compass distortion
- Compatible with most satellite modems
- Handheld, 2U or 4U controller

*Speak to a Speedcast sales representative
for more details.*

TECHNICAL SPECIFICATIONS

Mechanical

Reflector Type	1.2 meter Prodelin
Mount Geometry	Elevation over Azimuth
Polarization	Vertical or Horizontal: 270° on both polarities
Deployment Sensors	GPS, Inclinometer
Azimuth	380°
Elevation	157.5° (includes 22.5 offset of dish)
Polarization (Skew)	Both polarities can be skewed by 270°
Deploy Elevation	1.5°/sec
Deploy Azimuth	4.0°/sec
Peaking Speed	0.25° increments



Environmental

Deployed Wind Resistance	Has been tested at 68mph (100kph)
Stowed Wind Resistance	In excess of 87mph (140kph)
Operational Temperature	-40°C to 65°C/ -40°F to 150°F

Electrical

Transmit & Receive Cables	2 RG6 cables (35ft)
Control Cable	Interface cable (35ft) *Longer cables available
Transmit Power	1 to 200 Watt
Frequency	Ku-band

Physical

Length Stowed	76.32" (1.9m)
Width Stowed	48" (1.2 m) w/ reflector 19.5" (.5m) w/o reflector
Height Stowed	12.38" (0.3m)
Weight	135 lbs (61 kg) w/o reflector and RF equipment

Solid State Controller

Standard Controller	Visual displays of azimuth, elevation, cross pole and signal strength. Controller has momentary buttons for all axis control movements.
Dimensions	7.5"l x 6.38"w x 1.75"h (190mm x 162mm x 44mm) *Custom rack mounts available
Interface	Serial or Ethernet
Electrical	100-240 VAC / 36 VDC

Contact Speedcast:

4400 S Sam Houston Parkway E, Houston, TX USA 77048

info@speedcast.com

SPEEDCAST.COM